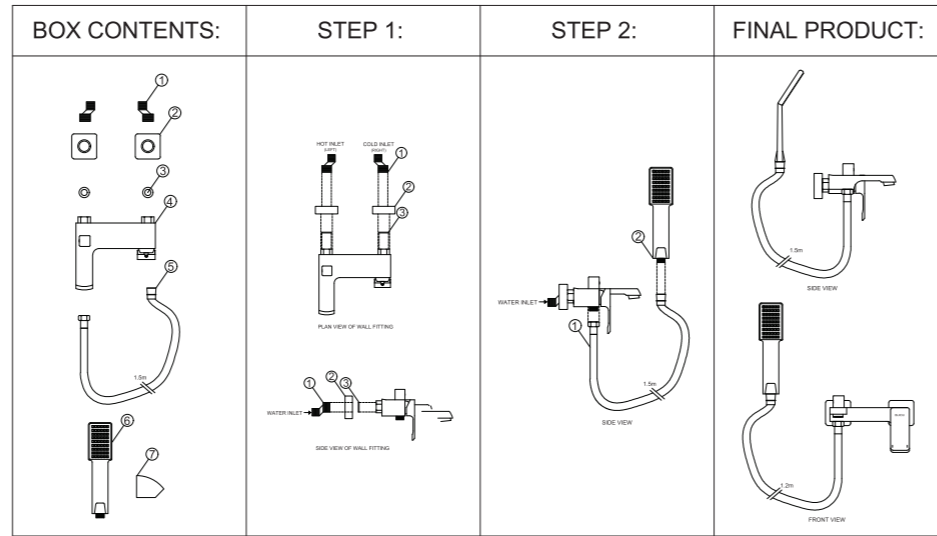


Thank you for purchasing this quality product which with the correct installation, care and maintenance will give you years of quality service.

It is important that you read this leaflet and follow the recommendations contained within it. If you are the plumber who installs the Taps & Mixers please leave this leaflet for the owner.

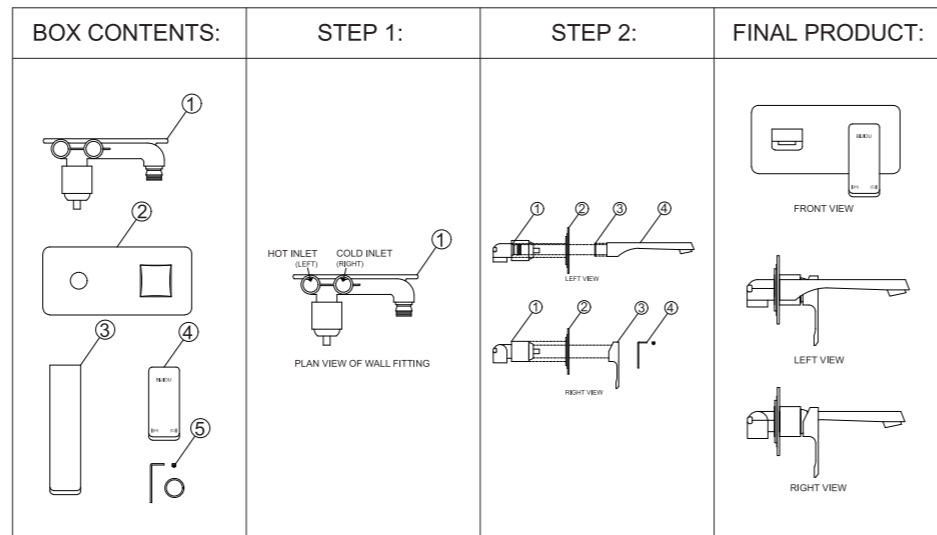
INSTALLATION INSTRUCTIONS

BATH MIXER



- 1) Remove internal cartridge and flush main water supply prior to installation. This is to avoid any foreign materials restricting the flow & damaging the cartridge. Replace internal cartridge, making sure that all fittings are re assembled and hand tightened
- 2) Make sure the inlets (hot and cold) are horizontal (as per spirit level), with a distance/ measurement between of 150mm < > 170mm
- 3) Insert "s-connections" into the plumbed outlet/s from the wall, then screw the flange/s on and up against the wall covering the "s-connection"
- 4) Place a washer in either of the inlets (to avoid leaking) of the mixer body
- 5) Connect the mixer body to the "s-connections"

BASIN SPOUT MIXER



- 1) Remove internal cartridge and flush main water supply prior to installation. This is to avoid any foreign materials restricting the flow & damaging the cartridge. Replace internal cartridge, making sure that all fittings are re assembled and hand tightened
- 2) Make sure the inlets (hot and cold) are horizontal (as per spirit level), with a distance/ measurement between of 150mm < > 170mm
- 3) Insert "s-connections" into the plumbed outlet/s from the wall, then screw the flange/s on and up against the wall covering the "s-connection"
- 4) Place a washer in either of the inlets (to avoid leaking) of the mixer body
- 5) Connect the mixer body to the "s-connections"

GUARANTEE

Colour range Bijou Single Lever Mixer/s are covered by a 5 year guarantee. This guarantee covers all manufacturing defects. Normal wear and tear is however not covered under the guarantee. Please note that the guarantee may be rendered null & void should the attached instructions not be adhered to. The guarantee will also be null & void if the taps are not installed by a registered plumber. Proof of purchase must be retained for guarantee purposes. (Please note the cartridge/s is/are only guaranteed for 2 years)



gun metal



gold



matte black

BALANCED WATER PRESSURE

PLEASE NOTE: The Bijou Tap Collection has been designed to work with a balanced water supply.

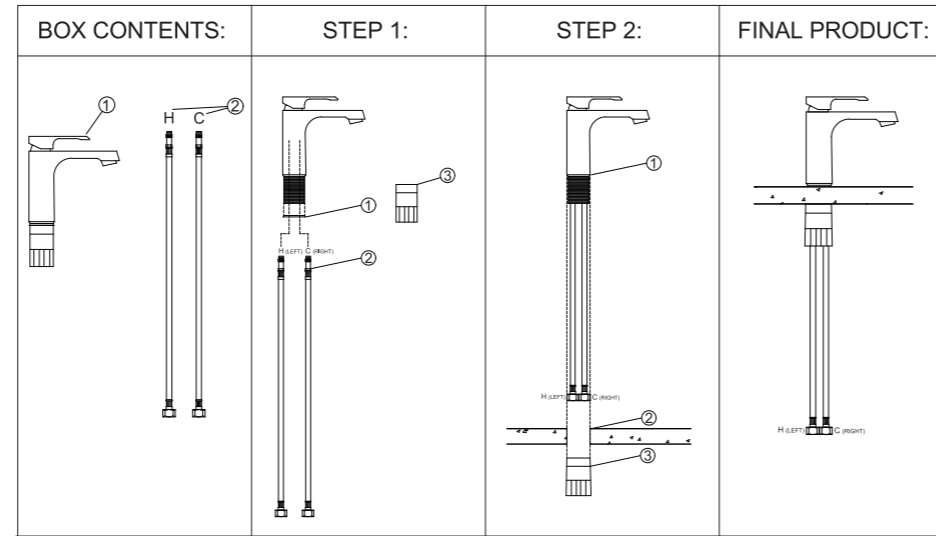
All **Bijou** taps have been tested to a maximum of 800kPa (8 bar), yet we recommend average house hold water supply (600kPa / 6 bar) be use to extend the life of the fittings. Should the above recommended operating pressure be higher than usual, a PRV or Pressure Reducing Valve will need to be fitted by a registered plumber.

INSTALLATION

All work should be carried out by a registered plumber. Responsibility will not be accepted for incorrect installation of this tapware, or any tapware not installed by a registered plumber.

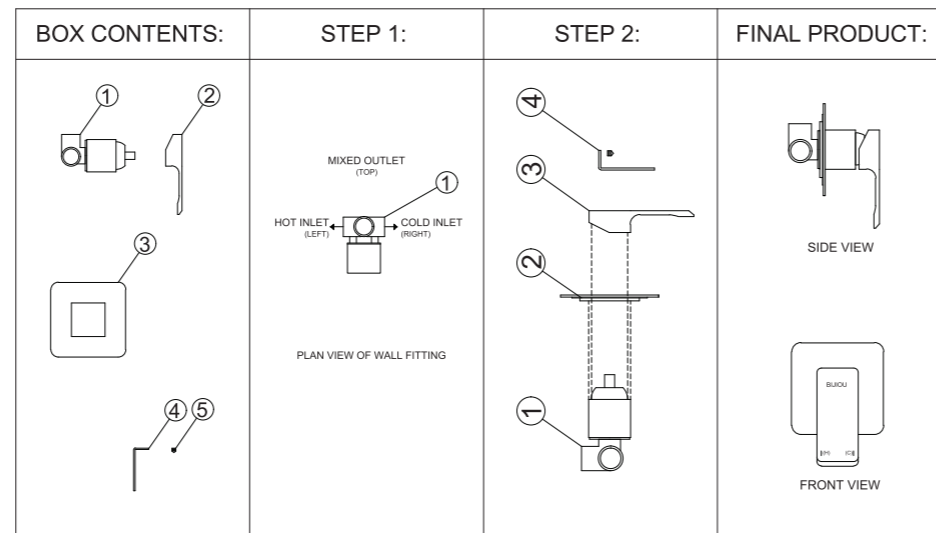
B I J I O U

SINGLE LEVER MIXERS



- 1) Remove internal cartridge and flush main water supply prior to installation. This is to avoid any foreign materials restricting the flow & damaging the cartridge. Replace internal cartridge, making sure that all fittings are re assembled and hand tightened.
- 2) All "Single Lever Mixer/s" require flexible connector aka braided connectors. These specific fittings are supplied with and marked with red and blue, denoting hot and cold respectively.
- 3) Place the O-ring(3mm) and or base plate on the underside of the mixer.
- 4) Hand tighten (max 10Nm) the flexible connectors firmly into the mixer body (1), DO NOT over tighten, this will bend/ kink and/ or sever the internal rubber tube.
- 5) Place the mixer body (1) over allocated hole (aka platform), ensuring the flexible connectors are fed through the allocated hole first.
- 6) Manoeuvre (left or right) the mixer to your preferred position
- 7) Slide the "black fixation sleeve/fitting" (3) over the braided connectors and fasten/ screw to the mixer body (1), make sure the mixer is in preferred position, hand tighten until the mixer/s is sturdy and unable to move.
- 8) Connect the braided connector to the angles valves (not included), and turn on.

UNDERTILE MIXERS



- 1) Remove internal cartridge and flush main water supply prior to installation. This is to avoid any foreign materials restricting the flow & damaging the cartridge. Replace internal cartridge, making sure that all fittings are re assembled and hand tightened
- 2) Fit the flange over the exposed body of the mixer.
- 3) Attached the handle (facing downward) and tighten the grub screw using the allen key.